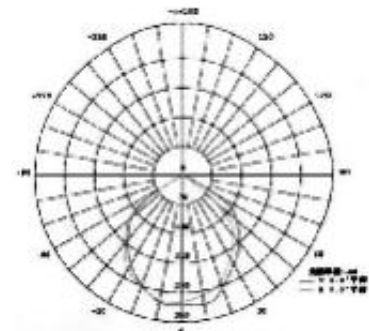
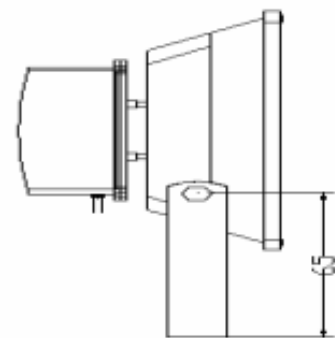
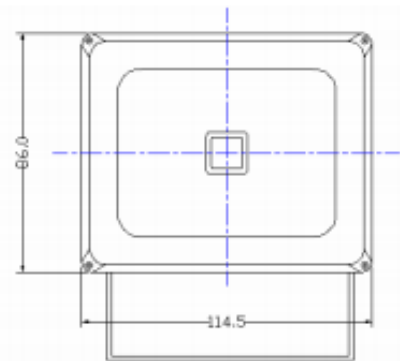


This 10W flood lamp is designed with a powerful LED in a die cast aluminum radiator for excellent heat dissipation, the anodized reflector delivers even and efficient lighting effect. The flood lamps are suitable for illumination of landscapes and pathways.

Technical Specification

FLBQ115-10W		
Input voltage	AC 85—265V 50/60Hz	
Power factor	>0.98	
LED number	1	
LED working voltage	30-36V DC	
Total power of LED	10W	
Total power of light	12W	
Lumen efficiency	>91%	
Lumen output	Warm white	855 Lm
	Neutral white	955m
	Cool white	930 Lm
Average luminance	Height 1M is 70 Lux	
	Height 2M is 20 Lux	
	Height 3M is 10 Lux	
Light footprint	Height 1M is 3 x 3M	
	Height 2M is 7 x 7M	
	Height 3M is 10 x 10M	
Illumination uniformity	>0.7	
CPI	Warm white	Ra>78
	Neutral / Cool white	Ra>85
Color Temp.	Warm white	2700-3900K
	Neutral white	3900-6000K
	Cool white	6000-7000K
Light design	Lens secondary light distribution	
Light distribution	Symmetrical / Rectangle	
Junction Temp.	≤60°C	
Operating Temp.	-40°C to +55°C	
Storage Temp.	-25°C to +65°C	
Certificate / IP	CE RoHS / IP65	
NW / GW	0.6 / 0.8 Kgs	
Packing dimension	130 x 100 x 110mm	



\*Detailed specification is available upon request.